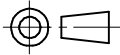
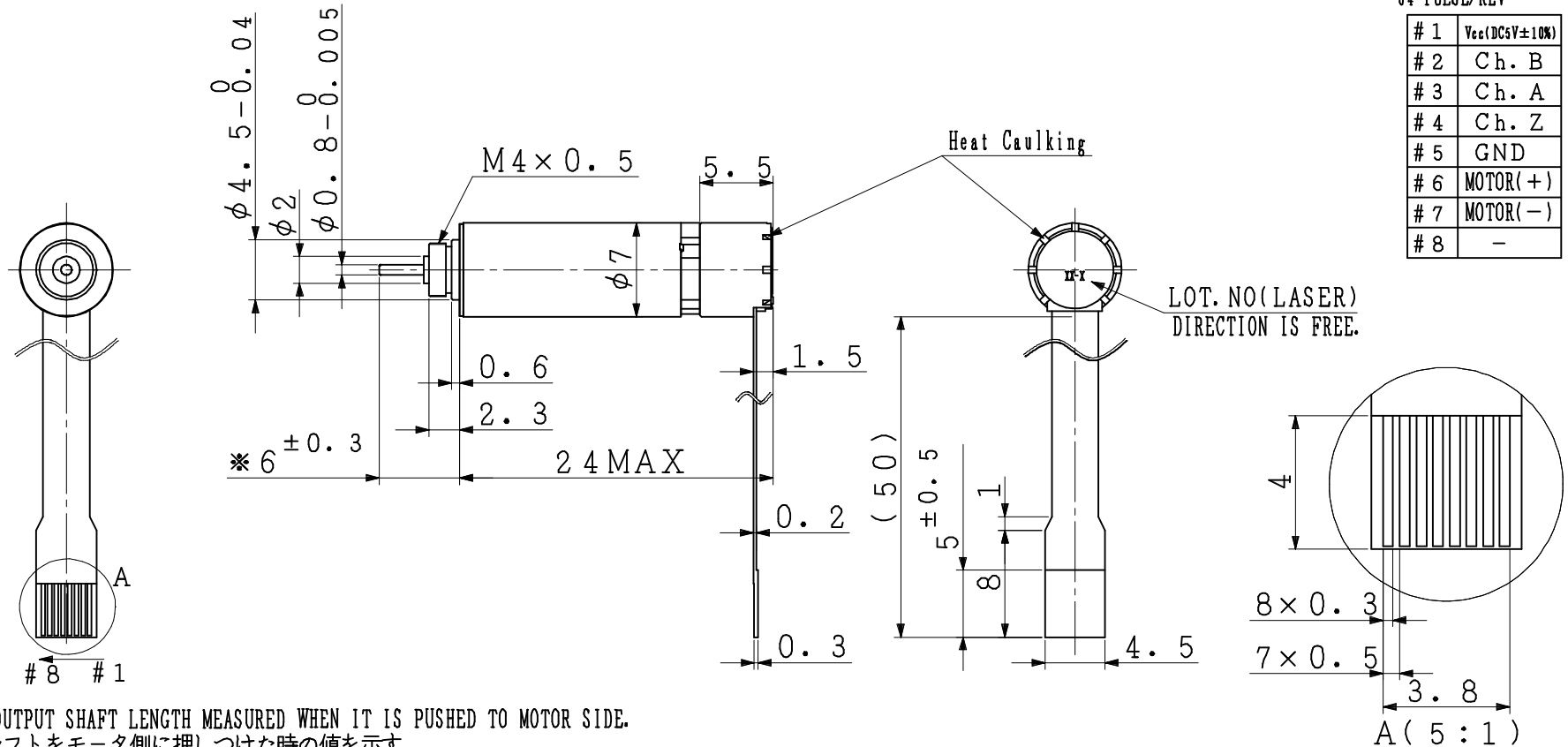


Orbray



MAGNETIC ENCODER
ELECTRICAL CONNECTIONS
64 PULSE/REV

# 1	Vcc(DC5V±10%)
# 2	Ch. B
# 3	Ch. A
# 4	Ch. Z
# 5	GND
# 6	MOTOR(+)
# 7	MOTOR(-)
# 8	-



NOTE 1) MARKED(*) IS OUTPUT SHAFT LENGTH MEASURED WHEN IT IS PUSHED TO MOTOR SIDE.

*印寸法はシャフトをモータ側に押しつけた時の値を示す。

2) LOT NO.

EXAMPLE) JANUARY, 2018

↑ 18 = A ↓

JANUARY:A, FEBRUARY:B...DECEMBER:L

1月:A, 2月:B...12月:L

↑ - ↓ : MADE IN THAILAND

↑ - ↓ 有り : 海外工場生産

↑ - ↓ NONE : MADE IN JAPAN

↑ - ↓ 無し : 国内工場生産

THE END TWO DIGIT OF CHRISTIAN YEAR

西暦年数末尾数字2桁

3) OUTSIDE DIAMETER IS NOT APPLIED TO THE CAULKING.

外径寸法公差はカシメ部を除く。

TOLERANCE				△	×					
DIMENSION (±)				△	×					
	0	1	2	3	±1°					
L ≤ 6	0.05	0.1	0.1	0.2						
6 < L ≤ 30	0.1	0.1	0.2	0.5						
30 < L ≤ 120	0.15	0.2	0.3	0.8						
120 < L	0.2	0.3	0.5	1.2						
MATERIAL	FINISH	QTY.	SCALE	2/1	TYPE	CMS07-18	NB	DRW.	CHK.	APPD.
			UNIT	1/1mm	TITLE	OUTLINE DRAWING				
APPD.	CHK.	DSGN.	DRW.	DWG.NO.						
				REF.NO.						
		27-Jan-18	27-Jan-18	CHK.NO.	REMARK	Rev. 00				